



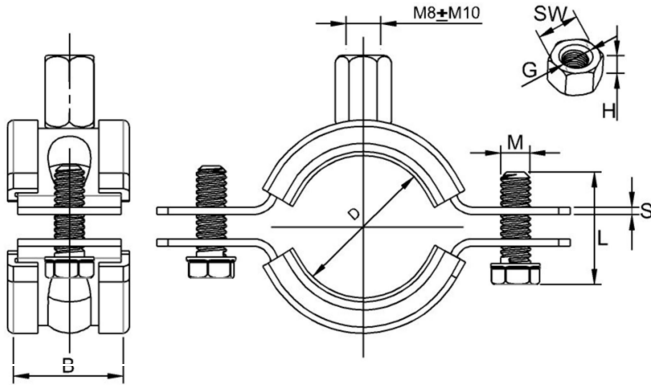
**Clamp with vibration damper (M8/M10 nut)**

**APPLICATION METHOD:**

- used for mounting pipes to surfaces, both vertical and horizontal;
- for hanging stationary non-insulated copper pipelines;
- fasteners for heating, plumbing and sewage pipelines to walls, ceilings and floors.

**SPECIFICATION:**

- material: steel and EPDM rubber; - surface: galvanized.



Art.	Size	Diameter, mm (D)	Steel (S*B)	Screw (M*L)	Nut (G)	Pieces in a package
0101043202	3/8"	15-19	1.0*20	M6*16	M8+10	180
0101043204	1/2"	20-25	1.0*20	M6*16	M8+10	180
0101043201	3/4"	26-30	1.0*20	M6*16	M8+10	140
0101043203	1"	32-36	1.0*20	M6*16	M8+10	100
0101043206	1-1/4"	38-43	1.2*20	M6*16	M8+10	190
0101043205	1-1/2"	47-51	1.2*20	M6*16	M8+10	160
0101043212	-	53-58	1.2*20	M6*16	M8+10	160
0101043208	2"	60-64	1.2*20	M6*16	M8+10	120
0101043207	2-1/2"	75-80	1.2*20	M6*16	M8+10	100
0101043209	3"	87-92	1.2*20	M6*16	M8+10	80
0101043210	110	107-112	1.5*20	M6*20	M8+10	60
0101043211	4"	113-118	1.5*20	M6*20	M8+10	60