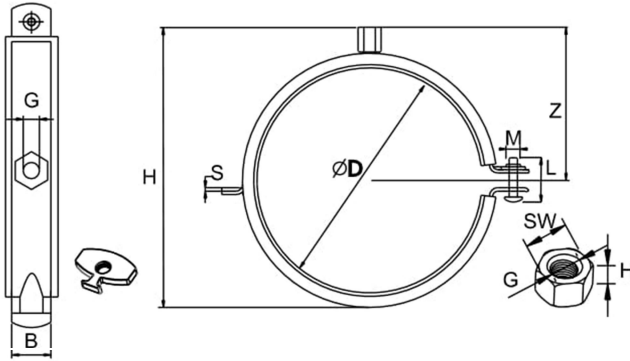




Combined clamp with vibration damper

APPLICATION METHOD:

- used for mounting pipes to surfaces, both vertical and horizontal;
- for hanging stationary non-insulated copper pipelines;
- fasteners for heating, plumbing and sewage pipelines to walls, ceilings and floors.



SPECIFICATION:

- material: steel and EPDM rubber;
- surface: galvanized.

Art.	Size	Diameter, mm (D)	Steel (S*B)	Screw (M*L)	Nut (G)	Pieces in a package
0101042208	3/8"	15-19	1.2*20	M5*25	M8	280
0101042207	1/2"	20-25	1.2*20	M5*25	M8	250
0101042206	3/4"	26-30	1.2*20	M5*25	M8	200
0101042205	1"	32-36	1.2*20	M5*25	M8	150
0101042204	1-1/4"	38-43	1.5*20	M5*25	M8+10	250
0101042203	1-1/2"	47-51	1.5*20	M5*25	M8+10	200
0101042202	2"	60-64	1.5*20	M5*25	M8+10	140
0101042201	2-1/2"	75-80	1.5*20	M5*25	M8+10	100